



Solaris Paper®

Next Generation Side-by-Side Bath Tissue Dispenser

The Next Generation LoCor® side-by-side bath tissue dispenser is a high-capacity dispensing system that reduces labor costs through fewer roll replacements. Its modern design upgrades the appearance of any washroom while maximizing efficiency and delivering cost savings.

- Uses sleek and modern dispensing cabinet design
- Uses high-capacity LoCor® bath tissue to reduce change outs
- Helps control product consumption and reduce waste
- Available in matte black, matte gray and stainless finishes
- Translucent side panels for monitoring paper levels
- Meets ADA Guidelines (when installed according to ADA dispenser installation guidelines)

SKU	LoCor® Dispenser	Finish	Case Dimensions	Qty	Case Wt	Product Dimensions	Product Wt
D67021-N	Side-by-Side Bath Tissue Dispenser	Stainless	14.96" x 8.94" x 5.24"	1	2.6 lb.	14.96" x 8.94" x 5.24"	2 lb.
D67022-N	Side-by-Side Bath Tissue Dispenser	Matte Gray	14.96" x 8.94" x 5.24"	1	2.6 lb.	14.96" x 8.94" x 5.24"	2 lb.
D67023-N	Side-by-Side Bath Tissue Dispenser	Matte Black	14.96" x 8.94" x 5.24"	1	2.6 lb.	14.96" x 8.94" x 5.24"	2 lb.



Get more on the core with LoCor® high-capacity towels and tissue.

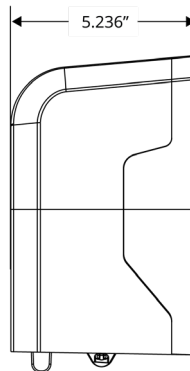
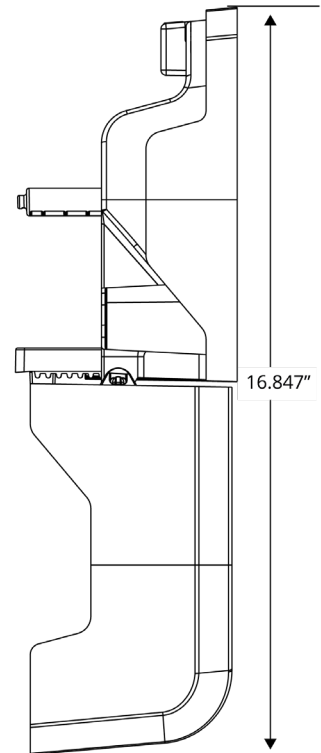
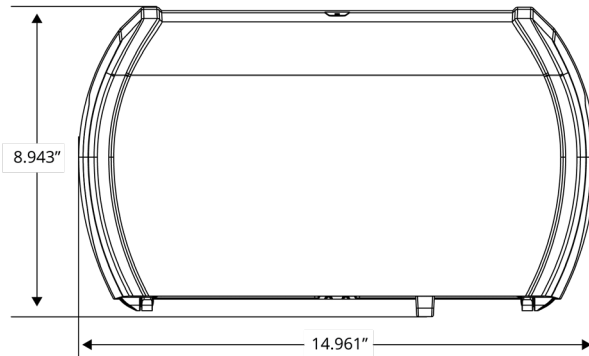
Together, LoCor® dispensers and the innovative reduced core design of LoCor® towel and tissue products reduce labor, lower costs and create a cleaner, safer restroom. LoCor® paper products are derived from Rapidly Renewable Fiber (RRF)* and contribute to an environmentally friendly building operation while meeting the requirements of the U.S. Green Building Council (USGBC), LEED standards.**



by SOLARIS PAPER®



USGBC
MEMBER **



SKU	LoCor® Paper Product	Color	Ply	Emboss	Sheet Size	Count	Items/Case	Total Case
26821	LoCor® Bath Tissue	White	2-Ply	Plain	3.85" x 4.05"	1000 sts.	36 rolls	36,000 sts.
26823	LoCor® Bath Tissue	White	1-Ply	Plain	3.85" x 4.05"	3000 sts.	18 rolls	54,000 sts.
26824	LoCor® Bath Tissue	White	2-Ply	Plain	3.85" x 4.05"	1500 sts.	18 rolls	27,000 sts.

* The RRF (rapidly renewable fiber) logo is a promotional mark of Solaris Paper, Inc. and does not denote any independent or professional environmental certification(s) or certifying organization. Solaris Paper AFH towel and tissue products contain a 20% - 80% virgin rapidly renewable base fiber.

** Solaris Paper towel and tissue products are derived from rapidly renewable resources / fiber and meet the requirements of the U.S. Green Building Council (USGBC) LEED standards per compliance pathways defined in EQc7 (Environmental Quality, credit 7) of LEED EBOM (v4) and IEQc3.3 (Indoor Environmental Quality, credit 3.3) of LEED EBOM (v3). The USGBC logo is a registered trademark of the United States Green Building Council.



SolarisPaper.com/afh
1-888-998-4778

SP-SEL-TDBT-0424