



TOWEL AND TISSUE



Solaris Paper®

# LoCor®4 Bath Tissue Dispenser

The LoCor®4 bath tissue dispenser is a high-capacity dispensing system that reduces labor costs through fewer roll replacements. It's modern design upgrades the appearance of any washroom while maximizing efficiency and delivering cost savings.

\* Labor savings\*: 6000 2ply sheet capacity of LoCor®4 Dispenser vs. the 1000 2ply sheet capacity of a standard 2-roll dispenser dispensing 500 sheet 2ply bath tissue with 4.05" long sheets (1000/6000=.16667; 1-.16667= 83%).

\*\* 72% packaging waste reduction based on LoCor Tissue vs. Universal Bath Tissue (80 roll/1000 sheet count)



D67051

D67052

D67053

- High Capacity - 6,000 2-ply and 12,000 1-ply sheets
- Smaller foot print with equal capacity to 9" universal twin Jumbo Roll Towel dispensers
- 83% reduction in labor vs. standard 500 sheet 2-ply dispensers\*
- Hygienic - touch only the tissue, top rolls completely protected
- Covered reserve rolls prevents dispensing from all 4 rolls at the same time
- Easy and reliable manual drop-down for reserve roll access
- 72% reduction in packaging waste vs. standard 500 sheet 2-ply Bath Tissue\*\*

SKU	LoCor® Dispenser	Finish	Case Dimensions	Qty	Case Wt	Product Dimensions	Product Wt
D67051	LoCor®4	Stainless	14.39" x 13.57" x 8.57"	1	4 lb.	13.23" x 13.64" x 7.38"	3 lb.
D67052	LoCor®4	White	14.39" x 13.57" x 8.57"	1	4 lb.	13.23" x 13.64" x 7.38"	3 lb.
D67053	LoCor®4	Black	14.39" x 13.57" x 8.57"	1	4 lb.	13.23" x 13.64" x 7.38"	3 lb.



# Greater Efficiency in a High Capacity Dispensing System

The LoCor®4 roll bath tissue dispenser and the innovative reduced core design of LoCor® bath tissue products combine to lower product consumption, waste and operational costs. LoCor® paper products are derived from Rapidly Renewable Fiber (RRF). RRF products contribute to an environmentally friendly building operation, and meet the requirements of the U.S. Green Building Council (USGBC) LEED standards.

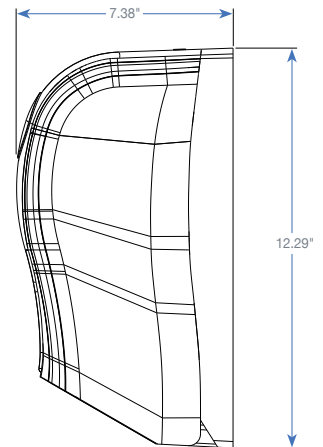
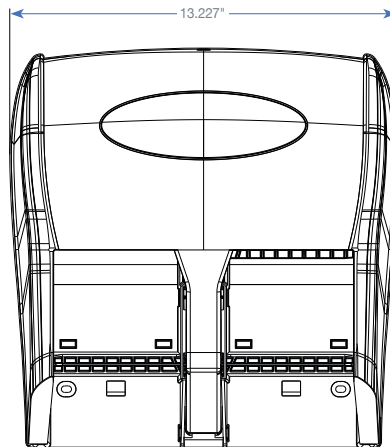


by SOLARIS PAPER®



- LoCor®4
- Stainless Steel, White and Black Finishes Available
- High Impact Plastic Body, Easy to Install
- Meets ADA Guidelines

(When installed according to ADA dispenser installation guidelines)



SKU	LoCor® Paper Product	Color	Ply	Emboss	Sheet Size	Count	Items/Case	Total Case
26821	LoCor® Bath Tissue	White	2-Ply	Plain	3.85" x 4.05"	1000 sts.	36 rolls	36,000 sts.
26823	LoCor® Bath Tissue	White	1-Ply	Plain	3.85" x 4.05"	3000 sts.	18 rolls	54,000 sts.
26824	LoCor® Bath Tissue	White	2-Ply	Plain	3.85" x 4.05"	1500 sts.	18 rolls	27,000 sts.

\* The RRF (rapidly renewable fiber) logo is a promotional mark of Solaris Paper, Inc. and does not denote any independent or professional environmental certification(s) or certifying organization. Solaris Paper AFH towel and tissue products contain a 20% - 80% virgin rapidly renewable base fiber.

\*\* Solaris Paper towel and tissue products are derived from rapidly renewable resources / fiber and meet the requirements of the U.S. Green Building Council (USGBC) LEED standards per compliance pathways defined in EQc7 (Environmental Quality, credit 7) of LEED EBOM (v4) and IEQc3.3 (Indoor Environmental Quality, credit 3.3) of LEED EBOM (v3). The USGBC logo is a registered trademark of the United States Green Building Council.



SolarisPaper.com/afh  
1-888-998-4778

SP-SEL-LCF-1220