



Solaris Paper®

Recessed Electronic Hands-Free Towel Dispenser



Electronic towel dispensing unit. Designed for installation in existing recessed towel dispensers often found in commercial buildings of all types. This easy to install dispenser adds towel capacity while reducing maintenance and refilling time.

- Reduce paper cost up to 30% with LoCor 1000' roll towels versus standard multifold towels.*
- Expanded retrofit options to wide range of recessed applications
- Enhance your image with our sleek, real stainless steel design for high-end and Class A buildings
- Accommodates all LoCor® Hard Wound Roll Towels (up to 1000 ft.)
- A variety of filler panels available, ordered separately

*4000 standard LIVI Multifold towels per case and 4 towels used per hand-dry compared to 2 LoCor roll towels (at 14"/towel) used per hand-dry at reasonable distributor margins.

SKU	Product Description	Finish	Case Dimensions	Qty	Case Wt	Product Dimensions	Product Wt
D68011-A	Recessed Electronic Hands Free Towel Dispenser	Stainless	12.85" x 16.37" x 9.31"	1	7.7 lb.	14.75" x 18.25" x 10.97"	8.7 lb.



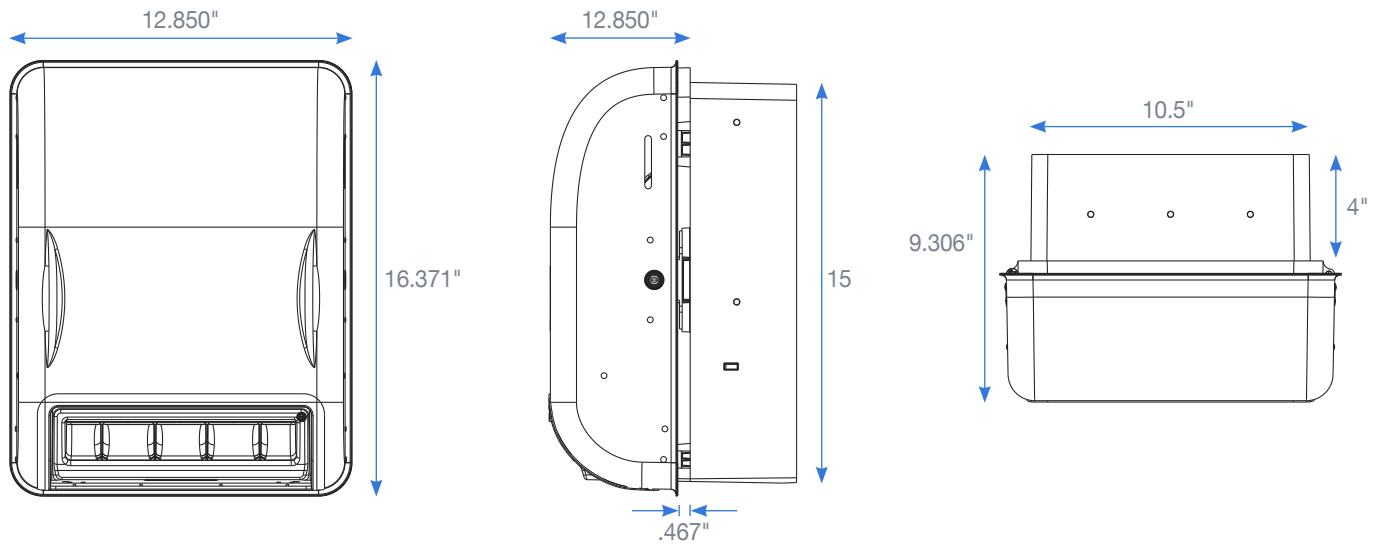
High Quality Look and Low Operating Cost



by SOLARIS PAPER®



Together, LoCor® dispensers and the innovative reduced core design of LoCor® towel and tissue products reduce labor, lower costs and create a cleaner, safer restroom. LoCor® paper products are derived from Rapidly Renewable Fiber (RRF). RRF products contribute to an environmentally friendly building operation, and meet the requirements of the U.S. Green Building Council (USGBC) LEED® standards.



SKU	Product Description	Color	Ply	Emboss	Size (WxL)	Count	Items/Case	Total Case
46896	LoCor® HWRT (Mid Premium)	White	1-Ply	Full	8" x 800"	800 ft.	6 rolls	4,800 ft.
46897	LoCor® HWRT (Mid Premium)	White	1-Ply	Full	7" x 800"	800 ft.	6 rolls	4,800 ft.
46898	LoCor® HWRT (Economy)	White	1-Ply	Full	7" x 850"	850 ft.	6 rolls	5,100 ft.
46899	LoCor® HWRT (Premium)	White	1-Ply	Full	7" x 600"	600 ft.	6 rolls	3,600 ft.
46901	LoCor® HWRT (High Capacity)	White	1-Ply	Full	8" x 1,000"	1,000 ft.	6 rolls	6,000 ft.
46902	LoCor® HWRT (High Capacity)	White	1-Ply	Full	7" x 1,000"	1,000 ft.	6 rolls	6,000 ft.

*The RRF (rapidly renewable fiber) logo is a promotional mark of Solaris Paper, Inc. and does not denote any independent or professional environmental certification(s) or certifying organization. Solaris Paper AFH towel and tissue products contain a 20% - 80% virgin rapidly renewable base fiber.

**Solaris Paper towel and tissue products are derived from rapidly renewable resources / fiber and meet the requirements of the U.S. Green Building Council (USGBC) LEED standards per compliance pathways defined in EQc7 (Environmental Quality, credit 7) of LEED EBOM (v4) and IEQc3.3 (Indoor Environmental Quality, credit 3.3) of LEED EBOM (v3). The USGBC logo is a registered trademark of the United States Green Building Council.



SolarisPaper.com/afh
1-888-998-4778